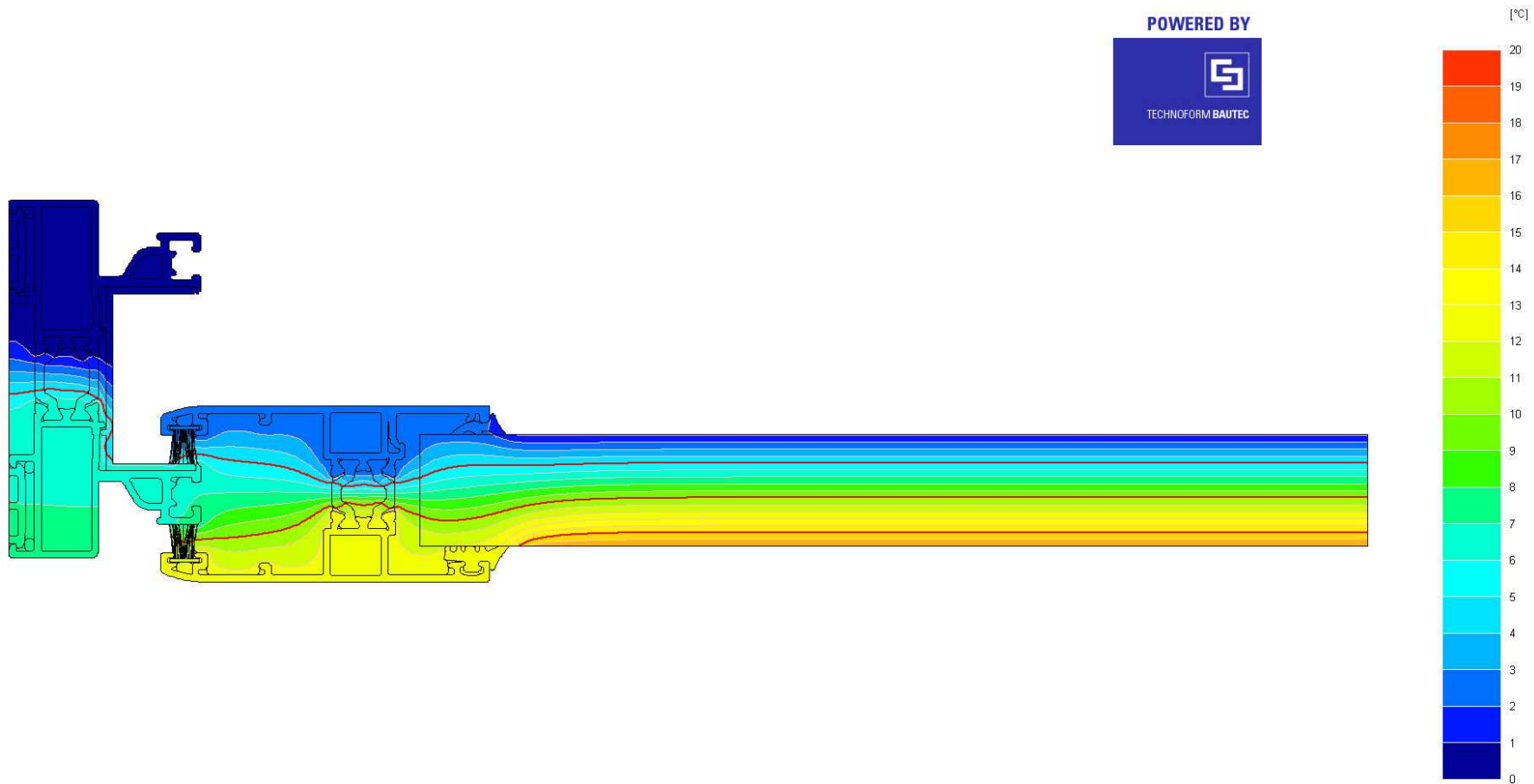




Thermal performance

■ 38T SURME SISTEM - Lateral Section



$$U_f = 4,65 \text{ W/m}^2\text{K}$$